



Stilo Scan 

InkJet digital print

High productivity and exceptional quality MultiPass and SinglePass flatbed UV inkjet printers designed for printing on various substrate materials and the creative printing of objects of various types and shapes (print on shape)



Stilo Jet 



Featured Tech Specs

High-resolution XAAR 1001/1002 printheads with 8 levels of greyscale
GS6 (6-42 pl), GS12 (12-84 pl), GS40 (40-160 pl) printheads
StiloUVjet or other approved inks formulated for use with various substrates
White and clear printing at the same time as CMYK with StiloScan
Continuous ink feeding system and 1, 3 and 5 l replacement tanks
Ink curing using UV Lamps and POWER LEDs (285-295 nm)
Designed for: Antistatic, Plasma, Corona and Flame treatments
Dedicated flatbed with zoned vacuum table (**StiloScan** option)
Flatbed table with dedicated zoned vacuum belt (**StiloScan** option)
Flatbed table with drive belts for heavy materials (**StiloScan** option)
Roll to roll feed for continuous printing (**StiloScan** option)
Maximum printable height 200 mm (Z-axis **StiloScan**)
Print width: mod. **StiloScan** STD 1200, 1600 and 2500 mm (6 Colours)
Print width: mod. **StiloJet** STD from 70 to 1200 mm (6 colours in a single-pass)
StiloJet Max. speed 60 m/min



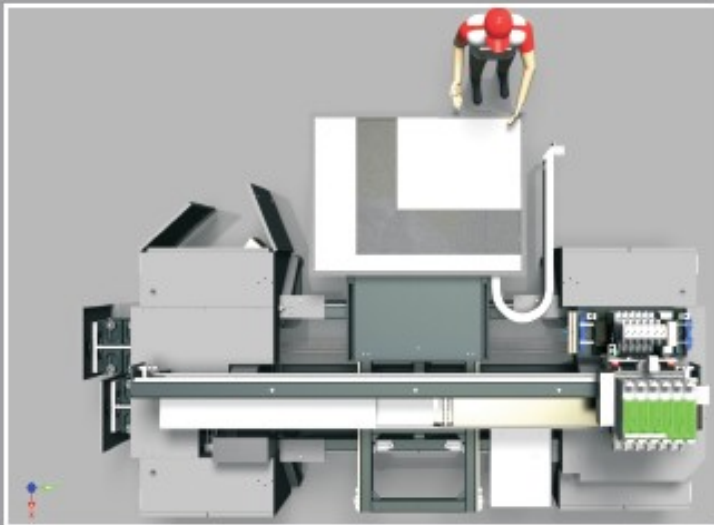
StiloScan and **StiloJet** are the ideal solution for printing high quality images for the graphics and / or print finishing industries. They can print on both rigid and flexible substrates made from various materials: from wood to glass, from ceramic tiles to special trims, from plastic substrates to technopolymers, from metal to variously shaped objects (bottles, buckets, variable profiles)

DIGITAL PRINTING EXCELLENCE with **InkJetRIP_3.0** Software

InkJetRIP_3.0 includes all the necessary features to enable TIFF-PSD-PSB (CMYK) format designs, created with the most commonly used software in the sector, to interface with our inkjet printers in the simplest and quickest way to successfully produce prints using this technique.

InkJetRIP_3.0 is so easy to learn and use that even users with a minimal amount of digital printing experience will be able to achieve quality results incredibly quickly, whilst more expert users will find all the controls they need to apply their experience to this new printing technique.





Tech Specs Multipass Stilo Scan UV_Plotter 1600

6 Colours - 6 Printheads:

Draft quality up to 60 m²/h
Standard quality up to 30 m²/h
High quality up to 15 m²/h

6 Colours - 12 Printheads:

Draft quality up to 100 m²/h
Standard quality up to 50 m²/h
High quality up to 25 m²/h

Print area:

Printing width 1600 mm continuous printing
Flatbed table 1600x1300 mm, Z-axis 200 mm
Power Supply 400 Vac 3P+N 50A (3kW UPS optional)
Dimensions 4400x1800xh2000 mm. Weight 24,000 kg

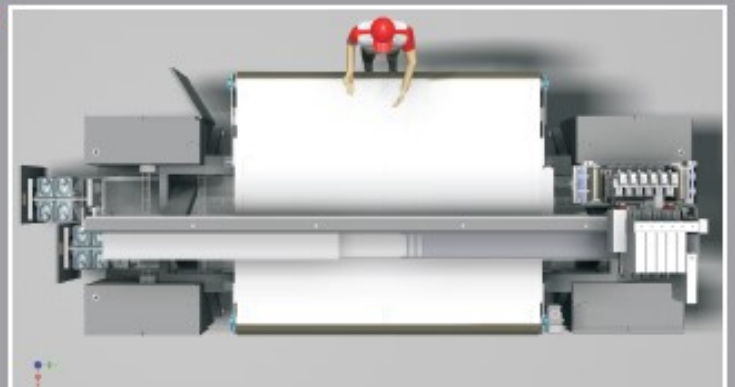
Tech Specs Multipass Stilo Scan UV_Plotter 2500

6 Colours - 12 Printheads:

Draft quality up to 120 m²/h
Standard quality up to 60 m²/h
High quality up to 30 m²/h

Print area:

Printing width 2500 mm continuous printing
Flatbed table 2500x1300 mm, Z-axis 200 mm
Power Supply 400 Vac 3P+N 50A (3kW UPS optional).
Dimensions 5500x1800xh2000 mm. Weight 35,000 kg





Technical Description Multipass Stilo Scan UV_Plotter

Printing Technology: XAAR 1001/1002 piezoelectric UV inkjet printhead

Eight-level variable drop greyscale capability; CMYK + White + Primer

Up to 2 printheads per colour, max. 6 channels per colour

Maximum printing width from 1200 to 2500 mm

Resolution: Variable Drop size from 6 to 42 picolitres (optional 84 and 160 pl)

Panel PC with 23" LCD Touchscreen Monitor

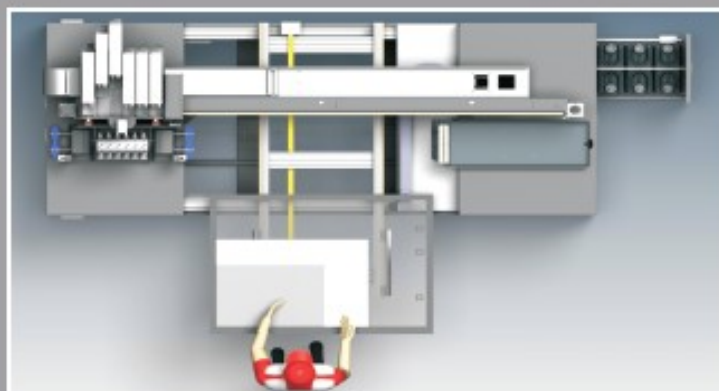
Multitasking proprietary software with integrated RIP

StiloUVjet and other approved inks formulated for various substrate materials

Operating environment:

Temperature 18 - 30 °C. – Relative humidity 30 -70% non-condensing

Multipass Stilo Scan UV_Plotter 1200 - Touch 23"



6 Colours – 6 Printheads:

Draft quality up to 50 m²/h

Standard quality up to 25 m²/h

High quality up to 12 m²/h

Ultra-high quality up to 6 m²/h

Print area:

Printing width 1250 mm continuous printing

Flatbed table 1250x1250 mm, Z-axis 200 mm

Power Supply 400 Vac 3P+N 40A (3kW UPS optional)

Dimensions 3200x1400x2000 mm. Weight 11,000 kg

Stilo Jet



Technical Description Singlepass Stilo Jet UV_Jet Printer

Printing Technology: XAAR 1001/1002 piezoelectric UV inkjet printhead

Eight-level variable drop greyscale capability; CMYK + White + Primer

Up to 16 printheads per colour, max. 6 channels per colour

Maximum printing width from 70 to 1200 mm – Max. speed 48 m/min

Resolution: Variable Drop sizes from 6 to 160 picolitres

Panel PC with 19" LCD Touchscreen Monitor (4:3) - Power Supply 400 Vac 3P+N

Multitasking proprietary software with integrated RIP

StiloUVjet and other approved inks formulated for use with various substrate materials

Operating environment: 18 - 30 °C – RH 30 - 70% non-condensing





Packaging



Printing on shapes



Outdoor large format



Finishing Glass



Finishing Plastic



Finishing Wood



Xaar 1002 GS6

Fine detail and text
Smooth tones
Life-like images

Xaar 1002 GS12

Double the colour intensity
Double the ink volume
Or double the speed

Xaar 1002 GS40

Intense colour
Special effects

Labelling



R&D



Membrane Keyboards



Beverage



Sales

XAAR for Industry

